

Study and Analysis of Performance of 3-Phase Shunt Active Filter in Grid-tied PV-Fuel Cell System Employing Sinusoidal Current Control Strategy

Rudranarayan Senapati*, Rajendra Narayan Senapati**, Manoj Kumar Maharana*

* School of Electrical Engineering, KIIT University, Patia, Bhubaneswar

**School of Electrical Sciences, IIT Bhubaneswar, Odisha

(rsenapatifel@kiit.ac.in,rajendra0507@gmail.com,mkmfel@kiit.ac.in)

‡School of Electrical Engineering, KIIT University, Patia, Bhubaneswar-751002, India Tel: +919861292507,

www.kiit.ac.in

Received: 24.05.2017 Accepted: 24.07.2017

Abstract-This paper describes about mitigation of power quality issues using shunt active filter in a grid connected hybrid energy system consisting of PV-Battery-Fuel Cell. The shunt active filter control is based on Sinusoidal Current Control Strategy. The shunt active power filter is implemented in the hybrid system to mitigate the harmonic current component as well as to recompense the imaginary or reactive power owing to their exact and reckless operation. The sinusoidal current control strategy is utilized to extricate sinusoidal current commencing from the source. Action of the shunt active power filter under passive load conditions using non-linear load, the performance of the sinusoidal current control technique is evaluated using MATLAB R2016a. MATLAB simulation results validate the efficacy of the power filter system to mitigate harmonic, it also offered to validate the control strategy. The total harmonic distortion (THD) of voltage as well as of current determines the practical feasibility of controller designed for ShAPF to deliver a harmonic separation of passive loads.

KeywordsPower Quality, Distributed Generators, Shunt Active Power Filter, Sinusoidal Current Control Strategy, Custom Power Devices.

1. Introduction

There has been a tremendous growth of energy in past few years due to the advancement in technology to meet the rising demands of people and economic growth. Energy consumption determines the development of region. Considering the statistics of last two to three years, the world energy consumption has been increasing at the rate of 5.2% annually and particularly emphasizing India, the per capita consumption is increasing at the rate of 5% annually. Moreover, the percentage contribution of energy from the Renewable Energy Sources (RES) out of total has been also increasing. Recent years have shown steady development in scientific know-how to tap energy from renewable sources rather depending on the prevalent energy sources that are not that reliable, exhaustible and create detrimental impact on the environment. Generation of power from RES has become thrive towards attaining a Sustainable Energy World. With the advent of renewable, new buzzwords like Distributed

Generators (DGs), Micro Grid, Smart Grid (SG) has changed the power market scenario. Due to a stiff relationship of population between the increasing energy demands as well as the increasing complexity in integrating the DGs with the main grid need to be ensured about the unaffectedness of the existing infrastructure, quality of supply has to be maintained and must be free from any faults or interruption. Although substantial quantity of energy is generated, but it has become very difficult as well as challenging for power engineers to reconcile the rising expectation of getting high quality of power which is possible by the mitigation of harmonics in power system specifically caused by nonlinear loads.

Primarily due to the non-linear loads in the electrical network or system, harmonics are coming into picture which brings numerous drawbacks in the system, e.g., supply turn out to be distorted and unstable with the application of passive load along with nonlinear loads increases surges. The distorted current affects the source point of convenience which is it turn out to be very much essential in order to

recompense the distortion, the harmonic and the reactive portion (imaginary part) of load parameter i.e. current. Because when the supply is not only balanced and but also biased, these complications degrade the entire power network or structure [1-3]. In today's scenario soft computing methods are widely implemented for optimizing the network used or else in control strategies. Some of the soft computing techniques like Adaptive TABU search [4-5] which is implemented to enhance the controllers, minimizing the loss power by incorporating Particle Swarm Optimization (PSO), Genetic Algorithm (GA) can also be used for optimizing the power filter. Neural Network (NN) technique can be used in filter devices. Normally, voltage bias or distortion is the outcome of current distortion that passes through linear and series impedance of distribution power system. Even though the source bus is in absolute sinusoidal form but there due to the presence of nonlinear load, it extracts a deformed current. These harmonic currents fleeting over the system impedance develops a drop in voltage for every individual harmonic component results in biased voltages seeming at the common point of coupling/Point of Common Coupling (PCC) which must be considered as vital parameters for designing various harmonic compensators. With the enhancement of semiconductor devices and so as for the sake of performance improvement in the distribution side, custom power devices have come into picture. It ensures proper flow of power and customer satisfaction in near future. This custom power (CP) mostly includes the use of power electronic devices such as Distributed Static Compensator (D-STACOM), Dynamic Voltage Restorer(DVR), Unified Power Quality Conditioner (UPQC), etc., for distribution systems. Under the concept of CP, a customer is able to receive a pre-specified quality power. The term custom power park focuses on the consumers who are ready to pay an optimum price for proper service i.e. high quality and uninterrupted power provided to them. Moreover, to achieve such objectives, the distribution companies make sure that these devices work in well coordinated manner [6].

Focusing on the various power filters (PFs), specifically, the shunt active power filter is a conceivable substitute for minimizing effects arising due to non-linear loads on the power network which passages to recompense harmonics produced by nonlinear loads. To attain compensation aims, generation of reference signal is significant meant for the design purpose as well as in control purpose of active filters. The usage of such kind of filters shields electrical apparatus which can be exaggerated by deprived/low power quality (PQ) and avoids the propagation of caused in stabilities in the power systems. Many control strategies has been implemented, out of which the most effective Sinusoidal current control strategy has been implemented to mitigate the harmonics and also others PQ issues generated in the unbalanced or unstable system owed to the non-linear loading condition. The efficiency of discussed control strategy has been demonstrated using simulation consequences conferred. The simulation result vindicates its efficiency on analysing the THD of both current and voltage.

The concept of Distributed Generators (DGs) and its interconnection to PQ has been described in Section 2 & 3. The custom power devices and a basic review of various

filters have been illustrated in Section 4 and 5. The concept of ShAPF of different methodologies and its different control strategies have been provided in Section 6. Detailed description of ShAPF incorporating sinusoidal current control (SCC) Strategy has been analyzed in Section 7.

2. Distributed Generators

The DG refers to on-site power generation that is present near to the load and has less rating as compared to the central power station. It reduces the cost of transmission lines minimizes the voltage drop. Typically the size of such generators involved is 10 MW or less. Now-a-days, dispersed generators are also coming into picture which is still smaller in size typically < 500KW [7]. Optimal placement of DGs has been presented in [8], ensuring that the losses particularly the real power loss should be less thereby eliminating any sort of dips, swells or size in the normal voltage levels.

Advantages of DG:

An important factor to understand the issues related to DG is to recognize the different aspects on each and every point of consideration which may be illustrated with the benefits of DG from the following aspects.

1. *End-user aspect:* This is the most important aspect nowadays. It is greatly beneficial to those who require uninterrupted power, as these DGs act as an alternative in case of outages or power failures from main side. Another advantage is that the users can commercialize buy selling the extra power generated by their DGs provided the quality is maintained thereby providing power to inaccessible areas.

2. *Distribution utility aspects:* The Distribution Companies (DISCOMs) and Transmission Companies (TRANSCOMs) are generally interested to sell power through their transmission and distribution lines. But these DGs greatly reduce these costs. Even if with the increase in the demand of power with the increase in load, DGs, provides an alternative against unprecedented increase in load.

3. *Commercial power producer aspect:* Here, the restructuring comes into picture. Those producing power through DGs can participate in competitive bidding or selling of power against rising prices per unit consumption of power. Here, several units of DGs are required to serve the load demands independently or through grid-connection.

Research has been carried out based on several Renewable Sources. An algorithm based on Probabilistic has been presented for reducing any sort of phase unbalance and losses occurring in the system with large numbers of installed solar generator micro feed in tariffs (FITs) [9]. The control of end-user energy storage under price fluctuations has been discussed as storage requirement is essential to satisfy the unpredictable load in [10]. Another source i.e. Fuel Cell (FC) is trending but its high cost is point of concern. But some of the recent developments have been made in reducing the cost of Direct Borohydride Fuel Cell (DBFC) by using Ni-based anode, Chitosan membrane and binder in [11] thereby aiding in its commercialization.

Extracting power from wind is also trending but it is bit complex as far as configuration due to the mechanical components are involved and also at the point of reliability comparison to PV and FC.

With the recent developments in Renewable Energy System, their integration with grid has become a challenge leading to various PQ issues. A Hybrid Multi-Layer Feed Forward Neural Network (HMLFNN) technique for prediction of output coming out from Grid Connected PV system has been discussed in [12].

Considering the real time implementation, SG project in Pondicherry is one such implementation in India that utilizes solar PV system placed at rooftop. An analysis being done taking into account the end user based on questionnaires regarding the consumption throughout the day, space acquired for placing the PV system as well as the users satisfaction with this implementation [13]. The significant role of MG lies in the fact that it is able to take or provide power to the utility grid and to work without any dependency in case of a scarcity at the time of outage thereby leads to elimination of multiple energy conversions [14]. Energy Management System is the new phraseology that includes hardware and software for monitoring and controlling generation and loads. In [15], simulation of algorithm based on energy management with backup storage has been performed in Matlab/Simulink environment.

The bonding of the DGs and ShAPF lies with the fact that it is designed for compensation of current harmonics [16] as DG is connected in parallel to the grid. In [17-18], the Active Power Filter (APF) has been used that aids in compensation of harmonics and in this way the DGs helps in decreasing excessive harmonics or overloading of interface inverters. Moreover, a scheme based on two-level control has been used to improve active flow power in main buses of independently working MG.

Different aspects based on demerits of DGs are also present. One such aspect is the issues related to power quality. The consumers are mostly concerned about the overall costs and maintenance. However there are many unanswered questions like in a DG integrated system whether the end users are interested for operating the generators or cost of electricity in this context is actually less and more reliable or the power markets is in favor of DG or not. In spite of that it is quiet predictable that the number of DGs connected with the utility system will keep on increasing in near future [19-20].

3. Power Quality

The PQ puts the boundaries in the deviation levels of voltage, frequency and waveform shape of power supply for proper functioning of the equipment. Without these limitations according to the IEEE standard, equipment may mal-operate and may not produce desired output. PQ means supplying of clean and stable power supply i.e. it includes noise-free sine wave, limited voltage and frequency deviations. Due to excessive uses of power electronics devices, it introduces the harmonics in the system due to non-linear loads which brings the concept of PQ into the

picture. Though day-by day the power electronics devices are making the system compact and reliable, but these are the primary cause of production of harmonics in the system. Various causes and terms related to power quality issues are addressed by power engineers day by day. Some of the important terms related to power quality (PQ) has been described in [21] such as reactive power compensation, harmonic compensation, voltage regulation, harmonic pollution, etc. Again Flicker is one of the in PQ problems that come into picture because of heavy loads. The PQ issues are an inevitable thing when a number of DGs are connected. So, there is a close relation between DG and power quality.

The primary problems related to PQ due to DGs are sustained interruption, voltage regulation, harmonic and voltage sags. There is a close relation between these terms DGs and PQ. Considering both supply side and load side, there are several DGs involved so as several loads. And the power has to be transferred through a common distribution line. So, proper coordination has to be maintained from each source to satisfy the load pattern. Implementation of DGs will either enhance the PQ or deteriorate the service for end users which is a major concern now-a-days [22]. As PQ is the combination of voltage and current, the quality of voltage can be considerably improved even with a slightest level of backup storage capacity implemented in the Series Connected Photo-Voltaic Distributed Generator (SPVG). Its proposed control system has been implemented using dSPACE (DS 1103) platform with MATLAB/Simulink in real-time interface (RTI) [23].

Among several PQ issues, the harmonics is considered to be the primary reason for poor PQ. Therefore, it is very essential to take into consideration and rectify the PQ problems and maintain the total harmonic distortion (THD) within prescribed limits as per the IEEE standards [24]. So, for elimination of harmonics filters are an essential requirement. But gradually custom power devices (CPD) including various FACTS devices is also coming into picture particularly for customer satisfaction.

4. Custom Power Devices

Controllers based on power electronics devices are used to provide power solution and its network may be either reformation type or compensation type. Former one is known as switchgear and is used for breaking, limiting and transferring of current. Based on that, the devices are known Solid State Breaker (SSB), Solid State Current Limiter (SSCL) and Solid State Transfer Switch (SSTS) whereas the later one is used for load compensation which includes power factor correction, restricting occurrence of any unbalance etc., thereby improving the voltage quality. The CPDs are either connected parallel/cascaded manner or in combination of the two. It consists of Dynamic Voltage Restorer (DVR), Distribution STATCOM (DSTATCOM) and Unified Power Quality Conditioner (UPQC). Modeling of custom power devices have been carried out in [25] that comprises of a high speed mechanical transfer switch (HSMTS); a 2-MVA DVR downstream of the HSMTS; a 4500-KVAR SVC placed on the alternate feeder to serve the critical customers.

The main essence of custom power park (CPP) lies in the fact that all the customers who are taking the power should get the advantage with the good quality of power provided to them i.e. it clearly indicates its superior quality of supply than the normal supply. Since DSTATCOM and DVR are essential components of CPD, the DSTATCOM aids in elimination of any unbalance or harmonics, while the DVR helps in eradicating voltage dips or disfigurement in waveform. Today the use of CPD has not been commercialized just like HVDC lines but has a great scope for future. High Voltage Direct Current (HVDC) and Flexible AC Transmission System (FACTS) devices involve several devices such as Static VAR Compensator (SVC) systems that are used for compensation of reactive power in transmission lines. Subsequently various kind of devices like Static Compensator (SSSC), Thyristor Control Phase Angle Regulator (TCPAR), Thyristor Controlled Series Compensator (TCSC), Unified Power Flow Controller (UPFC) have been used. FACTS like Thyristor Controlled Phase Angle Regulator (TCPAR), Thyristor Controlled Braking Resistor (TCBR) and Interline Power Flow Controller (IPFC) are used for the provision of flexible control of power flow in several lines associated with power system.

In CPP, the voltage is controlled through DSTATCOM, the performance during feeder switching, the performance during total feeder loss of mini CPP has been discussed in [26]. Performance study of two different compensating devices in a CPP has been discussed in [27]. Here, the shunt compensator controls the voltage of the CPP bus and the series compensator controls the sensitive load voltage which has been shown using PSCAD/EMTDC software. Furthermore, the simulation study of the world's first distributed power quality park which is located at the Delaware Industrial Park in Delaware, Ohio has been done in Electro-Magnetic Transient Program-Analysis Transient Program (EMTP-ATP) [28-29]. The different CPDs has been described below.

4.1 Distributed Static Compensator

Schematically a D-STATCOM (Distribution Static Compensator) basically comprises of a two-level Voltage Source Converter (VSC), a DC backup for storage and a coupling transformer which is connected in parallel to the distribution system. The VSC is being used for the conversion of DC voltage to AC output voltage. Coupling transformer is used for linking this voltage to the AC system. By properly controlling the phase angle and magnitude of this device, control of both active and reactive power is obtained in the entire system. Again the VSC configured in parallel with the AC system provides proper regulation of voltage, reactive power compensation, power factor correction and most importantly harmonics elimination [30]. The entire design, real time implementation, of a medium-sized two level three-leg D-STATCOM voltage-source converter topology have been carried out in [31]. In [32], a control scheme has been proposed for improvement of PQ through mitigation of sag/ dips in independently working micro grid on injection of reactive power using D-STATCOM in MATLAB/Simulink. In [33], a new control

algorithm has been presented for D-STATCOM which has the provision for individual control of positive and negative sequence currents and control of direct-axis and quadrature axis current components using PSCAD. In addition to that, D-STATCOM using Zig-Zag transformer being controlled by Synchronous Reference Frame (SRF) working in two modes of operation has been used in [34]. Again, VSC based D-STATCOM has been implemented using a real-time digital simulator in [35]. Main advantages lie in its modularity that has been proved using a 5 KVA installation of D-STATCOM.

4.2 Dynamic Voltage Restorer

The DVR is an economic and beneficial way of mitigation of power quality problems such as dips/sags, thereby protecting the equipment. It restores the voltage levels and is capable of working in different condition of operation. Considering the level of voltage, it can work for low voltage as well as high voltage levels. A series connected methodology of DVR has been presented [36-37]. The working of DVR is that it is able to control the load voltage without allowing any sort of disturbance to occur. Moreover, DVR as a whole works as a regulator, restorer and conditioner of voltage [38-39]. Focusing on the controller part, the proposed predictive controller has better performance with respect to the proportional integral controller and proportional resonant controllers. Here, the optimization technique being applied i.e. predictive controller allows voltage to maintain its level and so as the THD is well within 1% which has been presented in [40]. In [41], Ant Colony Optimization Techniques has been used based on PI controller (ACOP) whose advantages are time response is more faster and its control behavior is much better with respect to the classical PI and also gives provision of a faster DC voltage response for different voltage disturbances.

Since, CPD ensures enhanced quality and reliability of supply to the consumers through which other entities in restructuring environment get benefited. But the harmonic elimination being the prior issue needs filter that are applied on various components in Power system.

5. Filters

In general filters are to minimize harmonics arising due to repeated switching of power electronics devices used. On the basis of basic classification different types of filters are passive filters which include passive elements such as capacitor and inductors and active filters. For the detection of any kind of abnormalities occurring in the system filters are highly required when converters or inverters are used. Focusing on the digital filters, notch filters has been designed in [42] for damping out harmonics. Based on that both simulations and experiments have also been carried to prove the effectiveness of such filter that is able to produce required amount of lead or lag in phase around the resonant frequency for the stability of the system. In [43-44] selective filters such as harmonic selective filters have been used to

separate low frequency harmonic component from fundamental component. A comparison between another set of filters has been done in [45] i.e. Adaptive, Weiner and Kalman filters in which Kalman Filter is best among all able to reduce THD by more than 50% and an extended Kalman filtering approach has been used in [46] for the frequency estimation due to the presence of noise, notch and harmonics in the system. Optimization techniques and algorithms used to enhance the performance of filters which includes Bee Colony Optimization, Fuzzy logic and Differential evolution, Unscented Kalman Filter (UKF), Particle Swarm Intelligence (PSI), Genetic Algorithm (GA) [47-50].

Classification of Filters

5.1 Shunt Active filter

The shunt active filter (ShAPF) is connected in parallel comprising of non-linear load whose harmonic currents are required to be compensated. The principle of operation of ShAPF is based on production of current harmonics equal in magnitude but in phase opposition i.e. 180° to the harmonics present in the grid. ShAPF along with compensating reactive power also mitigates harmonics and distortion [51-52]. ShAPF have more benefits in comparison to series active filters (SAF) on the basis of their form and function.

Coming over the applied control techniques, in [53] the control technique of the ShAPF has been developed consisting of two current inside loops and a DC-bus voltage outside loop. Since, Lyapunov function is used to solve any problem due non-linearity so, in [54], the control strategy based on Lyapunov function has been used along with the ShAPF. The experimental validation of the ShAPF system has been done using a DS1104 DSP of d-SPACE and tested for different condition of operation. Again in [55-56] another experimental verification has been done for ShAPF consisting of dual parallel topology based APF where 110-V, 50-Hz mains providing power to a 3 kW load has been considered. The details regarding ShAPF incorporating SCC Strategy has been explained in Section VII.

5.2 Series Active filter

The series active filter (SAF) is usually used to solve any deviation in voltage and other PQ related issues. They are more competent than shunt compensators as they are able to compensate current issues. The SAF is series connected with the power supply. It has been designed in such a manner that it can operate bidirectional without any use of DC capacitor. Since, undesirable oscillation is one of the prominent phenomenon in classical Sliding Mode Control (SMC) [57] sliding mode controller-2 (SMC-2) named based on the degree of system 2 due to the use of sensors and actuators has been used for improving the performance of the filter and thereby helps in reducing tracking error distortion,

suppressing chattering, and noise. Furthermore, the THD of source current is drastically reduced below 1.7% and for the transient condition of load the THD for the proposed controller-based filter is reduced from 26.7% to 2.16%.

Focusing on the experimental analysis, operation principles voltage mitigation for the third-harmonic has been done through a 3 KVA experimental setup. Two controllers have been used. One is controller of the active filter and another is mitigation and DC capacitor voltage control [58]. Another, implementation and testing of a proposed ShAPF has been carried out using a 2-kVA IGBT present in three-phase inverter leading to fast response of filter during sudden variation in the load conditions and its steady state condition is obtained very fast i.e. less than two cycles [59].

5.3 Hybrid Power Filter

The hybrid power filters (HPFs) are basically the amalgam of active and passive filters which helps in considerable reduction in the rating and expenditure on filters. These filters are able to damp out harmonic resonances rather than compensating for only harmonic currents. [60-61]. Different novel methods and topologies for harmonic suppression and PQ improvement have been done in [62-69]. Nowadays, series hybrid active power filter (SHAPF) are being mostly used more in recent due to its multi-tasking features and also rating of lower inverter is less. So, control techniques for THD reduction, reactive power compensation of SHAPF has been presented in [70-82]. Moreover, work based on of Hybrid Infinite Impulse Response (HIIR) filter and Finite Impulse Response (FIR) has been presented in [83]. The various Optimization technique algorithms used are Artificial Neural Network (ANN), filtered algorithm based on x-least mean square, PSO and Adaptive Neuro-fuzzy dividing frequency control [84-87]. Practical implementation based on 12-pulse rectifier, parallel hybrid power filter and an experimental design of ShAPF has been done for 110 V, 50 Hz, three-phase four-wire system using a novel control scheme with decomposition of voltage vectors into power components[88-90].

As there so many issues related to PQ issues such as sags, swells, notches, unbalancing, UPQC being one of the important devices i.e. capable to resolve all the problems associated with the system [91].

5.4 Unified Power Quality Conditioner

The UPQC is again the amalgam of series and shunt active filters. The series active filter helps to mitigate any harmonics produced in between transmission and distribution level apart from protecting the system from any kind of arousal of unbalance voltage, flickering etc. Further the ShAPF helps in absorbing harmonic current, reactive power compensation and to controlling the dc link voltage among

these two active filters [92-93]. In [94], an algorithm has been used known as exponential composition algorithm (ECA) along with UPQC for compensation of issues related to power quality. Use of optimization techniques has shown improvement in performance of UPQC such as in [95]. Here, proposed control technique has been shown where, ANFIS along with UPQC is used for further improvement in performance rather than conventional PI Controllers. The role of combination of UPQC and DGs under different modes of operation of DG in following PQ standards has been shown in [96].

There are several work has been carried out so far by many researchers over the UPQC across the globe almost following a common topology, but various control techniques used are very important in the altogether functioning of the UPQC. Several advanced control strategies and new techniques have been proposed by different researchers which are quite easily adopted by the UPQC system, such as controller based on state feedback, model reference adaptive controller, model predictive control, Sliding Mode Controller (SMC), self tuning controller and neural networks, etc. With similar construction as that of UPQC, UPFC is one of the adoptable FACTS devices used in case of transmission systems. Difference between UPQC and UPFC is that a UPFC works under balanced and relatively distortion free transmission system whereas UPQC operates under relatively unbalanced distribution systems with very high harmonic contents because of the excessive use of power electronics (PE) interfaces [97].

5.5 Unified Power Flow Controller

It helps in controlling various power system parameters, such as bus voltages and power flows. Apart from UPFC operating as shunt, series and phase angle controller, the main function is the proper balance of active and reactive of power flow [98]. A load flow analysis model of UPFC has been done in [99] and study has been made based on the placement of this device to avoid congestion management and finding an economic viable solution. Further, in [100] a novel UPFC without use of any transformer has been presented which has several advantages such as in terms of cost, response time, THD, efficiency etc. Moreover, its validation has been done on a setup of 4160 V. In [101], a novel control method has been presented that has proved its effectiveness better than conventional proportional integral (PI) controller in terms of its smooth performance variety of operating conditions, requirement of parameters and tuning required. In [102], a real-time implementation has been presented based on the performance of UPFC and its location in the system. Simulations have been carried out using a real-time hardware or software laboratory (RTHSL).

UPLC is the advanced version of UPFC i.e. it provides the function of UPFC along with the mitigation of active harmonics.

5.6 Unified Power Line Conditioner

Because of its advanced functioning abilities, this compensating device is named so. The simulations carried out in [103] and the experimental results prove that its performance is better as compared to the conventional approach. In addition to that, both power circuit and control circuit has been presented. UPLC has been used in a single-phase high-frequency AC (HFAC) micro grid. Again in [104] by the hybridization of both UPQC and UPLC better power flow is obtained and also issues related to quality of power is curbed in micro grid and filtering is based on p-q theory. Again proper control of active and reactive power in is obtained in grid-connected micro grid. Further, its extension has been done in [105] based on experimental analysis comprising of 1-phase high frequency micro grid of 1kW capacity. Since, UPLC consists of both series and shunt filters so, series active filters helps in controlling the active and reactive power whereas, shunt active filter helps in harmonic currents and reactive power compensation.

6. Shunt Active Filter

Though the basics of Shunt Active Power Filter (ShAPF) being one of the filters has been already described in Section 5, but Gyugyi and Strycula in 1976 first presented the novel conception of shunt active filtering. At the present time, it (ShAPF) has become a reality and remains no more a dream and they are heavily and frequently used in commercial process over the world. Controllers of ShAPF govern in actual time the recompensing references current value; in addition it also forces the PWM inverter in order to achieve it correctly. In this manner, active filtering is able to be discriminating as well as adaptive. In other confrontations, it can compensate the harmonic component (current) of particular nonlinear load, besides it can record the fluctuation in harmonic contented continuously [106].

6.1 Configuration of ShAPF

The ShAPF generally consists of two distinct main block i.e. PWM converter and Active filter controller as shown in figure 1. The PWM converter, mainly accountable to process power and synthesize the compensating values of current which has to be drained from the network and Active Filter controller is accountable for processing signal and to define the real time instant compensating current values, which is passed on continuous manner to the PWM converter section. Generally ShAPF works in a closed loop method. It sense current that flows through load (i_1) and computes the instant values of the compensating/shunt current reference

value i_c^* for converter section pulse width modulation (PWM). Either the voltage source converter (VSC) or the current source converter (CSC) can be used in ShAPF. The CSC can be used for its robustness but in today's scenario shunt active filter that are used in commercial purpose almost uses VSC owing to its higher efficiency, initial cost is low as compared to CSC and reduced physical dimensions.

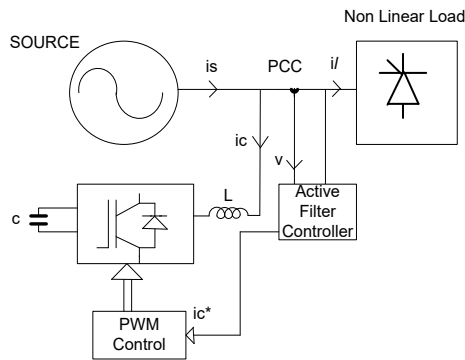


Fig.1. Block Diagram of SAPF

The block diagram in figure 1 shows that the shunt active filter takes the leading current i_c that compensates the harmonics as well as the lagging VAR. Hence the source current is free from harmonics.

6.2 Different Control Approach

Several control strategies have been used based on SAF. It started with Unity Power Factor (UPF) control strategy which was considered to be the best as far as distorted waveform was considered. Moreover, a comparison with classical compensation Strategy was done and the simulation was based on Monte Carlo and Analysis Transients Program (ATP). Again, a new control algorithm for 3-phase, 4-wire for unbalanced system was done in [107], where application of α - β -0 was considered in the presence of inverters and capacitors but in the absence of DC source. Its extension was done in [108], which was simple due to absence of symmetrical components to transform 3-phase to α - β -0 and only positive sequence was supplied. Further, its extension was done using Direct current Static VAR compensator (DCSVC) control based on neutral point clamped VSI. Two DCSVC were proposed using xy -coordinate and $\alpha\beta$ -coordinate [109]. Next, the locations of placing the ShAPF become an important issue. So, control system approach was done, where the best place was found to be the feeder in distribution system for damping out harmonic propagation [110]. Here, the use of Analog Circuit simulator (ACS) has been done and voltage detection is done in time-domain. A comparison study between voltage source and current source active filters on the basis of power circuit diagram, constraints of semiconductor devices, quality of filtering, ruggedness, versatility and load subjected to transient

changes has been done in [111] and its extension has been done where drawbacks of current source over voltage source has been done which includes high on-state loss and inefficient inductive energy. Further overvoltage clamp is required which complicates the current source described in [112].

In general, the effectiveness of any control strategy for any kind of filter is determined by to what level the THD is less i.e. $\leq 5\%$ according to IEEE 519 standard. New control techniques based on linguistic approach using INTEL 8031 were developed, which provided simplicity, robustness and better suppression of harmonics [113]. Again, a comparative study between hybrid (combination of 3 phase tuned LC filter for 7th harmonic frequency plus 3- ϕ voltage source pulse with modulated inverter) and ShAPF in a adjustable speed drive system of 480 V was done. It proved out to be advantageous in terms of high efficiency, less switching ripples & EMI emission [114]. An extension of $dq0$ was done using Adaptive Hysteresis Band Current Controller (AHCC) in [115]. The main difference between the Fix Band Hysteresis Current Control (FBCC) and AHCC is that the switching frequency at an instant remains definite in the proposed method contrary to conventional FBCC method. Further, the adaptive ShAPF along with (Artificial Neural Network) ANN has been used to lock the triple harmonics in [116]. Considering the real component only, 3-phase SHAF using $I \cos \alpha$ algorithm was used. This algorithm was applicable in all operating as reactive, balanced/unbalanced, and nonlinear loads [117]. A control technique designed in [118-119] is a non-linear one that uses two inside current loops and a DC bus voltage regulator loop present outside and there is no interconnection between these loops. The ShAPF with LCL filter offers higher suppression of harmonics by utilizing considerable less passive filtering constituents and also leads to smaller drop in voltage harmonic drop across the passive output filter that ultimately lessens any possibility of over modulation. The effectiveness of the methodology has been proved by experimental testing in terms of proper damping of oscillations, overall stability, and smoothness of transient response [120-123].

7. Sinusoidal Current Control Strategy

The control technique executed in the ShAPF defines the physical compensation features of the power filter. There exist several methods for designing a control technique for active filtering. Undoubtedly, the Instantaneous Power Concept or theory practices a precise effective base for design of regulators (controller) for the power filter [124].

Three different control techniques or strategies are as follows.

Constant Instantaneous Power Control Strategy:

In this strategy the ShAPF compensates a definite portion of the power that is oscillating real-power. This strategy is applicable only when there are no active power oscillations.

Sinusoidal Current Control Strategy:

It is used to draw a sinusoidal current from the source. The main advantage of this strategy is that the distortion produced in three phases is minimum in comparison to other strategies.

Generalised Fryze Current control Strategy:

This strategy is normally used to minimize the rms value of current through which the same volume of energy can be transferred similar to the distorted current. This strategy has minimum ohmic loss.

7.1 Active Filter for Sinusoidal Current Control:

The active filter Controller for sinusoidal current control includes positive voltage detector which includes phase lock loop (PLL) circuit, DC voltage regulator, instantaneous power calculation block, compensating power selection block and compensating reference current calculation block.

Positive sequence voltage detector:

At load terminal the value of three phase voltage mainly consists of positive sequence component. If there will be either negative sequence or zero sequence component then three phase voltage can be unbalanced and may also comprise harmonics from other components. Thus it is necessary to determine fundamental positive sequence voltage for this Sinusoidal current control technique and it is possible through positive voltage detector.

Phase-Locked-loop (PLL) circuit:

The power circuit continuously tracks fundamental component of frequency of measured system voltages. This synchronizing circuit automatically defines the frequency of the system as well as the phase angle of positive sequence component of input signal.

Instantaneous Power Calculation Block:

This block computes the instant values of power of the passive load/nonlinear load.

Compensating Power Selection Block:

This block selects some portion of real and imaginary power of the given nonlinear load which is to be compensated by the power filter.

DC Voltage Regulator:

DC Voltage Controller defines a supplementary quantity of active power for which an extra energy flows into the

capacitor for keeping its value of voltage around a static reference value.

Compensating Current Reference Calculation Block:

This block helps in defining the instantaneous value of compensating or shunts current reference from compensating powers and voltages.

Control Block Diagram

The figure 2 illustrates control block of sinusoidal current control technique with three phase shunt active filter. Three phase instant voltages and currents phases of balanced or unbalanced source in the abc-reference frame is converted into instant voltages and currents on the α - β axes . It can be noted that the instantaneous phase voltages V_a, V_b, V_c corresponding to $V + 1$ phasor component of the fundamental positive-sequence voltage are converted into the α - β coordinates by using the Clarke transformation block. Then, the set two phase component (α - β component of both current and voltage) are used for calculating active and reactive power (instantaneous powers) and also used for calculation of two phase compensating current. The compensating powers that is oscillating portion of real power (\tilde{p}) and imaginary power $q = \tilde{q} + \tilde{q}'$ are also used in the current calculation block in order to determine exactly all α - β components of currents in the load current that generates $-\tilde{p}$ and $q = \tilde{q} + \tilde{q}'$ (with $V + 1$).

The three phase voltage can be converted into two phase voltage by means of Clarke transformation as shown in matrix form and this two phase voltage further participate in power calculation module in order to determine both active and reactive power along with two phase current (i_α and i_β).

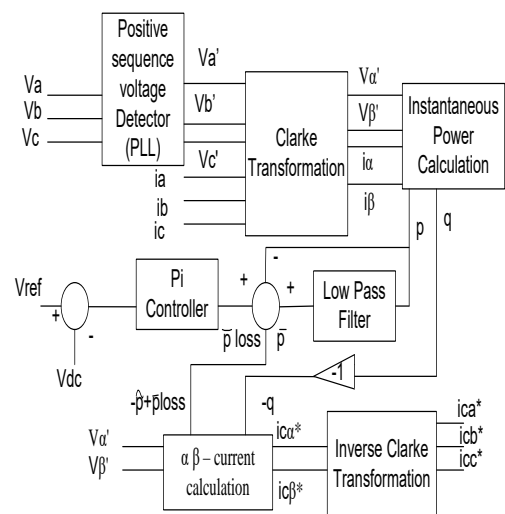


Fig.2. Block diagram of sinusoidal current control strategy

$$\begin{bmatrix} v_0 \\ v_\alpha \\ v_\beta \end{bmatrix} = \sqrt{\frac{2}{3}} \begin{bmatrix} \frac{1}{\sqrt{2}} & \frac{1}{\sqrt{2}} & \frac{1}{\sqrt{2}} \\ 1 & -\frac{1}{2} & -\frac{1}{2} \\ 0 & \frac{\sqrt{3}}{2} & \frac{\sqrt{3}}{2} \end{bmatrix} \begin{bmatrix} v'_a \\ v'_b \\ v'_c \end{bmatrix} \tag{1}$$

In Similar manner, three-phase line currents can be converted in to two phase by using Clarke Transformation it also help in determining real and imaginary power along with two phase voltage (v'_α and v'_β).

$$\begin{bmatrix} i_0 \\ i_\alpha \\ i_\beta \end{bmatrix} = \sqrt{\frac{2}{3}} \begin{bmatrix} \frac{1}{\sqrt{2}} & \frac{1}{\sqrt{2}} & \frac{1}{\sqrt{2}} \\ 1 & -\frac{1}{2} & -\frac{1}{2} \\ 0 & \frac{\sqrt{3}}{2} & \frac{\sqrt{3}}{2} \end{bmatrix} \begin{bmatrix} i'_a \\ i'_b \\ i'_c \end{bmatrix} \tag{2}$$

The benefit of implementing the Clarke transformation is that it separates the zero-sequence components from the abc-phase components as per instantaneous power theory which is well defined for three-phase network in both the condition that is in presence of neutral conductor as well as in absence of it. Three instant powers that is zero-sequence component, the active component p, reactive component q, the instant phase voltages and line currents can be represented in matrix format as shown below:

$$\begin{bmatrix} p_0 \\ p \\ q \end{bmatrix} = \begin{bmatrix} v_0 & 0 & 0 \\ 0 & v'_\alpha & v'_\beta \\ 0 & v'_\beta & -v'_\alpha \end{bmatrix} \begin{bmatrix} i_0 \\ i_\alpha \\ i_\beta \end{bmatrix} \tag{3}$$

From matrix active and reactive power is given as follow

$$p = v'_\alpha \cdot i'_\alpha + v'_\beta \cdot i'_\beta \tag{4}$$

$$q = v'_\beta \cdot i'_\alpha + v'_\alpha \cdot i'_\beta \tag{5}$$

Both active and reactive power consists of average component and Oscillating component given by

$$p = \bar{p} + \overset{\circ}{p} \text{ (Average power +oscillating power)} \tag{6}$$

$$q = \bar{q} + \overset{\circ}{q} \text{ (Average power + oscillating power)} \tag{7}$$

We need to compensate oscillating constituent of real power and imaginary power which may affect the system.

The DC voltage controller defines an additional quantity of active power that causes an extra drift of energy to the capacitor for keeping its value of voltage around a static reference value as shown in the figure 2. The very small quantity of average active power (P_{loss}) is drained in

continuous manner from the power network for supplying switching loss plus ohmic losses in the converter section or else, the same energy would be provided by dc link capacitor connected across converter which would discharge at continuous manner. Boost converter is used in shunt active power filter, so it is necessary to keep value of dc voltage higher than that of peak value ac bus voltage which would assure the controllable property of the (PWM) current control Fig.2 active power of nonlinear load must be measured frequently and continuously and it must separate into two component that is average and oscillating component. This is obtained by the compensation power selection block. In real time operation, the separation of active and reactive power is analyzed by a low-pass filter. The reference currents $i^*_{Ca}, i^*_{Cb}, i^*_{Cc}$ for switching of PWM inverter is set up from Inverse Clarke Transformation. The switching scheme of IGBT's is set up by relating the reference currents and continuously sensing the currents from lines. $\alpha\beta$ - current calculation can be calculated as follow:

$$\begin{bmatrix} i^*_{Ca} \\ i^*_{Cb} \end{bmatrix} = \frac{1}{v'^2_\alpha + v'^2_\beta} \begin{bmatrix} v'_\alpha & v'_\beta \\ v'_\beta & -v'_\alpha \end{bmatrix} \begin{bmatrix} -\frac{2}{3} \bar{p}_{loss} \\ q \end{bmatrix} \tag{8}$$

These two values of compensating currents are two phase currents which are then converted into three phase currents by means of inverse Clarke transformation. Three phase compensating currents can be calculated by using inverse Clarke transformation.

$$\begin{bmatrix} i^*_{Ca} \\ i^*_{Cb} \\ i^*_{Cc} \end{bmatrix} = \sqrt{\frac{2}{3}} \begin{bmatrix} \frac{1}{\sqrt{2}} & 1 & 0 \\ \frac{1}{\sqrt{2}} & -\frac{1}{2} & \frac{\sqrt{3}}{2} \\ \frac{1}{\sqrt{2}} & -\frac{1}{2} & -\frac{\sqrt{3}}{2} \end{bmatrix} \begin{bmatrix} i^*_{C0} \\ i^*_{C\alpha} \\ i^*_{C\beta} \end{bmatrix} \tag{9}$$

8. Results and Discussion

Performance studies of Shunt Active Filter under Sinusoidal current control strategy in grid integrated PV-Fuel Cell network has been simulated for a 3P3W system. The detailed control strategy of PV-FC hybrid system with grid integration is given in the figure 3. The control circuitry for 3P3W is modeled for grid connected PV-FC system.

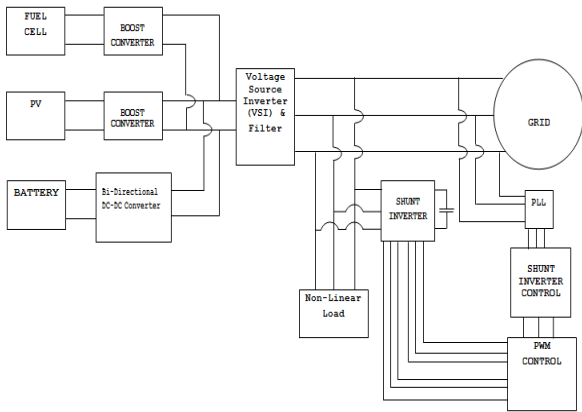


Fig. 3. Detailed Block Diagram of PV- FC system with Shunt Active filter

The operational analysis of ShAPF for a 3-phase, 3-wire system has been done in MATLAB/SIMULINK environment. Both power circuit and control circuit for 3-phase 3-wire system considering load passive and non-linear are modelled. The system consists of a hybrid network of PV-FC-Flywheel. Here variable irradiance condition has been considered. Several simulation studies for the entire system have been done taking into account the parameters which are shown in Table-1 for grid connected mode under constant irradiance conditions in which the irradiance is kept at 550W/m^2 .

TABLE 1.Simulation Parameters

Load Resistance	10Ω
Grid voltage (RMS)	230V
DC Link Capacitance	2000μF

Its associated waveforms reveal how SAPF compensate the abnormalities in the supply side. Moreover, current THD of grid injected voltage side was found to be 1.40% due to the compensation procedure of ShAPF. The figure 5 shows the grid injected voltage and current. In addition to that the FFT analysis result of the system is shown in the figure 6. The THD in grid injected voltage is found to be 1.4%.

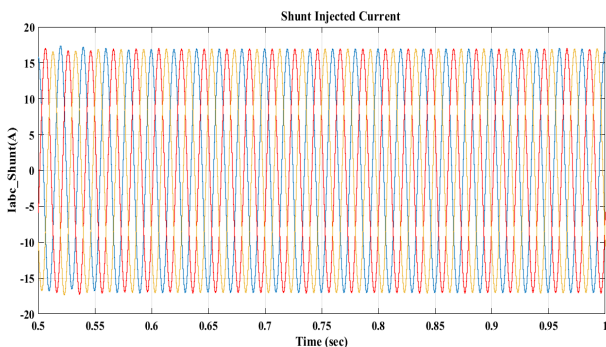


Fig.4. Injected Current by Shunt Compensator

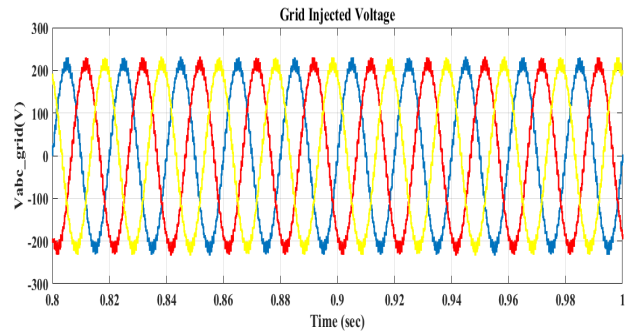


Fig.5 (a). Grid Injected Voltage

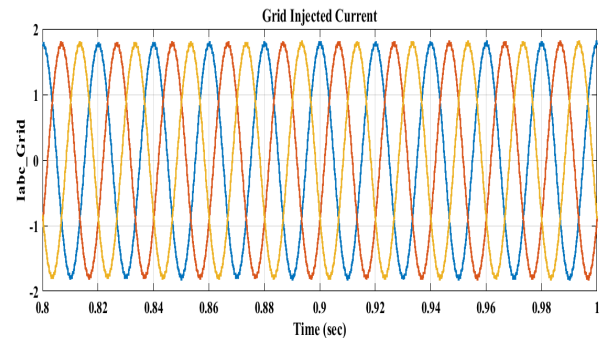


Fig. 5 (b). Grid Injected Current

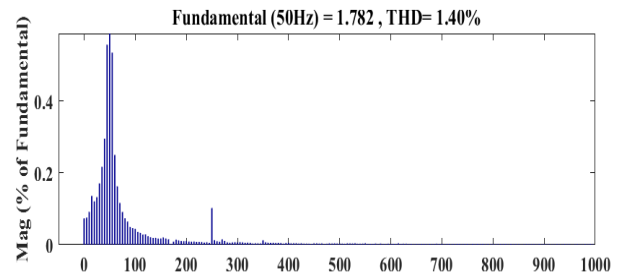


Fig. 6. Harmonic Analysis of Grid Injected Voltage

The figure 7(a) and (b) show the PV output voltage and current waveform. The Fuel Cell and battery voltage are connected to common DC Link so they have the similar waveform as the PV output Voltage.

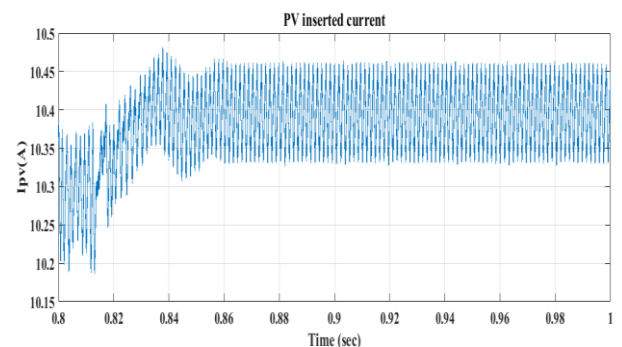


Fig. 7(a).PV Output Voltage

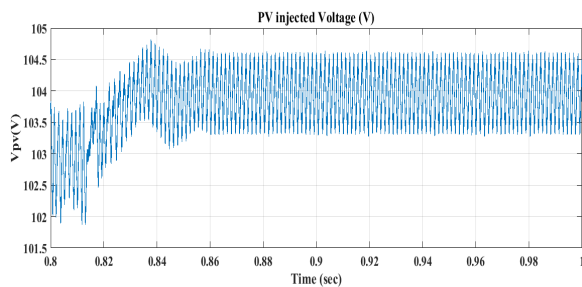


Fig. 7(b). PV Output Current

The above results show that, the injected current waveform of the shunt active filter is sinusoidal which the basis of sinusoidal current control strategy is. Besides it provides effective injection of power to the grid in interconnected mode which is desirable.

9. Conclusion

The main contribution of the paper lies in the way of development of model of PV-Battery-FC in grid connected mode, which has been used to supply high quality power to non linear load. Besides this it focuses on the performance analysis of Shunt active filter operated under sinusoidal current control strategy in grid connected PV-Battery-FC system.

A concept oriented study of ShAPF using SCC has been carried out for 3-phase and 3-wire system using passive and non-linear load. Even though the voltage and current in three phases are subjected to disturbance in transient state, the control strategy leads to drawing of constant current by the load during steady state condition. Moreover, the THD value in source current is low i.e. 1.40 % being much less than the expected value thereby showing the effectiveness of the above study.

References

[1] Mauricio Aredes, Jurgen Hafner, Klemens Heumann, "Three-Phase FourWire Shunt Active Filter Control Strategies," *IEEE Transactions on Power Electronics*, Vol. 12, No. 2, pp. 311-318, March 1997J. Clerk Maxwell, A Treatise on Electricity and Magnetism, 3rd ed., vol. 2. Oxford: Clarendon, 1892, pp.68-73.

[2] Koteswara Rao Uyyuru, Mahesh K. Mishra, and Arindam Ghosh, "An Optimization-Based Algorithm for Shunt Active," *IEEE Transactions on Power Electronics*, Vol. 24, No. 5, pp. 1223-1232, May 2009.

[3] Habi, M. Bouguerra, D. Ouahdi, and H. Meglouli, "Using the Schunt Active Power Filter for Compensation of the Distorted and Unbalanced Power System Voltage," *World Academy of Science, Engineering and Technology*, Vol. 24, pp. 152-156, 2006.

[4] T.Sopapirm, K-N.Areerak, K-L.Areerak, A.Srikaew, "The Application of Adaptive Tabu Search Algorithm and Averaging Model to the Optimal Controller Design of Buck Converters," *World Academy of Science, Engineering and Technology*, Volume 60, pp. 477-483, 2011.

[5] T.Kulworawanichpong, K-L.Areerak, K-N.Areerak, and S.Sujitjorn, "Harmonic Identification for Active Power Filters Via Adaptive Tabu Search Method," LNCS (Lecture Notes in Computer Science), SpringerVerlag Heidelberg, Volume 3215, 2004, pp. 687-694.

[6] Ghosh, Arindam, and Gerard Ledwich. *Power quality enhancement using custom power devices*. Springer Science & Business Media, 2012.

[7] Bialasiewicz, Jan T. "Renewable energy systems with photovoltaic power generators: Operation and modeling." *IEEE Transactions on industrial Electronics* 55.7 (2008): 2752-2758.

[8] Mohan, N., T. Ananthapadmanabha, and A. D. Kulkarni. "A weighted multi-objective index based optimal distributed generation planning in distribution system." *Procedia Technology* 21 (2015): 279-286.

[9] Mostafa, Haytham A., Ramadan El-Shatshat, and Magdy MA Salama. "Multi-objective optimization for the operation of an electric distribution system with a large number of single phase solar generators." *IEEE Transactions on Smart Grid* 4.2 (2013): 1038-1047.

[10] van de Ven, Peter M., Nidhi Hegde, Laurent Massoulié, and Theodoros Salonidis. "Optimal control of end-user energy storage." *IEEE Transactions on Smart Grid* 4, no. 2 (2013): 789-797.

[11] Sahai, Yogeshwar, and Jia Ma. "Advances in producing cost-effective direct borohydride fuel cells and road to its commercialization." *Energy Procedia* 14 (2012): 358-363.

[12] Sulaiman, Shahril Irwan, Titik Khawa Abdul Rahman, Ismail Musirin, and Sulaiman Shaari. "An artificial immune-based hybrid multi-layer feedforward neural network for predicting grid-connected photovoltaic system output." *Energy Procedia* 14 (2012): 260-264.

[13] Kappagantu, Ramakrishna, S. Arul Daniel, and M. Venkatesh. "Analysis of rooftop solar PV system implementation barrier in Puducherry Smart Grid Pilot Project." *Procedia Technology* 21 (2015): 490-497.

[14] Sechilariu, Manuela, Baochao Wang, and Fabrice Locment. "Building integrated photovoltaic system with energy storage and smart grid communication." *IEEE Transactions on Industrial Electronics* 60.4 (2013): 1607-1618.

[15] Gaurav, Sonal, Chirag Birla, Aman Lamba, S. Umashankar, and Swaminathan Ganesan. "Energy management of PV-battery based microgrid system." *Procedia Technology* 21 (2015): 103-111.

[16] Cirrincione, Maurizio, Marcello Pucci, and Gianpaolo Vitale. "A single-phase DG generation unit with shunt active power filter capability by adaptive neural filtering." *IEEE Transactions on Industrial Electronics* 55.5 (2008): 2093-2110.

[17] Hashempour, Mohammad M., Mehdi Savaghebi, Juan C. Vasquez, and Josep M. Guerrero. "A control architecture to coordinate distributed generators and active power filters coexisting in a microgrid." *IEEE Transactions on Smart Grid* 7, no. 5 (2016): 2325-2336.

[18] K. Arulkumar, D. Vijayakumar, and K. Palanisamy," Recent advances and control techniques in grid

- connected PV system—A review," *International Journal of Renewable Energy Research*, vol. 6(3), pp.1037-1049, 2016.
- [19] Blaabjerg, Frede, Remus Teodorescu, Marco Liserre, and Adrian V. Timbus. "Overview of control and grid synchronization for distributed power generation systems." *IEEE Transactions on industrial electronics* 53, no. 5 (2006): 1398-1409.
- [20] H. L. Willis and W. G. Scott, *Distributed Power Generation Planning and Evaluation*, Marcel Dekker, New York, 2000.
- [21] Akagi, Hirofumi. "New trends in active filters for power conditioning." *IEEE transactions on industry applications* 32.6 (1996): 1312-1322.
- [22] W. E. Feero, W. B. Gish, "Overvoltages Caused by DSG Operation: Synchronous and Induction Generators," *IEEE Transactions on Power Delivery*, January 1986, pp.258–264.
- [23] Saadat, Nima, S. S. Choi, and D. Mahinda Vilathgamuwa. "A series-connected photovoltaic distributed generator capable of enhancing power quality." *IEEE Transactions on Energy Conversion* 28.4 (2013): 1026-1035.
- [24] Senthilkumar, A., K. Poongothai, S. Selvakumar, M. Silambarasan, and P. Ajay-D-Vimal Raj. "Mitigation of Harmonic Distortion in Microgrid System Using Adaptive Neural Learning Algorithm Based Shunt Active Power Filter." *Procedia Technology* 21 (2015): 147-154.
- [25] Domijan, Alexander, Alejandro Montenegro, Albert JF Keri, and Kenneth E. Mattern. "Custom power devices: An interaction study." *IEEE transactions on Power Systems* 20, no. 2 (2005): 1111-1118.
- [26] Ghosh, Arindam, and Avinash Joshi. "The concept and operating principles of a mini custom power park." *IEEE transactions on power delivery* 19.4 (2004): 1766-1774.
- [27] Ghosh, Arindam. "Performance study of two different compensating devices in a custom power park." *IEE Proceedings-Generation, Transmission and Distribution* 152.4 (2005): 521-528.
- [28] Domijan, Alexander, Alejandro Montenegro, Albert JF Keri, and Kenneth E. Mattern. "Simulation study of the world's first distributed premium power quality park." *IEEE Transactions on Power Delivery* 20, no. 2 (2005): 1483-1492.
- [29] Y. Allahverdizadeh, M. Mohamadian, and M.R. Haghifam, "A comparative study of energy control strategies for a standalone PV/WT/FC hybrid renewable system," *International Journal of Renewable Energy Research*, vol. 7(3), pp.1463-1475, 2017.
- [30] Nielsen, John Godsk, and Frede Blaabjerg. "A detailed comparison of system topologies for dynamic voltage restorers." *IEEE Transactions on Industry Applications* 41.5 (2005): 1272-1280
- [31] Kumar, A. Senthil, S. Rajasekar, and P. Ajay-D-Vimal Raj. "Power quality profile enhancement of utility connected microgrid system using ANFIS-UPQC." *Procedia Technology* 21 (2015): 112-119.
- [32] Srivatchan, N. S., P. Rangarajan, and S. Rajalakshmi. "Control Scheme for Power Quality Improvement in Islanded Microgrid Operation." *Procedia Technology* 21 (2015): 212-215.
- [33] Blazic, Bostjan, and Igor Papic. "Improved D-StatCom control for operation with unbalanced currents and voltages." *IEEE Transactions on Power Delivery* 21.1 (2006): 225-233.
- [34] Masand, Titiksha Jain1 Deepika. "Zig-Zag Transformer and Three-Leg VSC based DSTATCOM for a Diesel Generator based Microgrid." *International Journal of Engineering Science* 2537 (2016).
- [35] Dinavahi, Venkata, Reza Iravani, and Richard Bonert. "Design of a real-time digital simulator for a D-STATCOM system." *IEEE Transactions on Industrial Electronics* 51.5 (2004): 1001-1008.
- [36] Ghosh, Arindam, and Gerard Ledwich. "Compensation of distribution system voltage using DVR." *IEEE Transactions on power delivery* 17.4 (2002): 1030-1036.
- [37] Zhan, Changjiang, Vigna Kumaran Ramachandaramurthy, Atputharajah Arulampalam, Chris Fitzer, Stylianos Kromlidis, M. Bames, and Nicholas Jenkins. "Dynamic voltage restorer based on voltage-space-vector PWM control." *IEEE transactions on Industry applications* 37, no. 6 (2001): 1855-1863.
- [38] Ghosh, Arindam, and Gerard Ledwich. "Compensation of distribution system voltage using DVR." *IEEE Transactions on power delivery* 17.4 (2002): 1030-1036.
- [39] Varma, Dillep Kumar, and Y. P. Obulesh. "An Improved Synchronous Reference Frame Controller based Dynamic Voltage Restorer for Grid Connected Wind Energy System." *International Journal of Renewable Energy Research (IJRER)* 6, no. 3 (2016): 880-888.
- [40] Barros, J. Dionísio, and J. Fernando Silva. "Multilevel optimal predictive dynamic voltage restorer." *IEEE Transactions on Industrial Electronics* 57.8 (2010): 2747-2760.
- [41] Benachaiba, C., B. Mazari, M. N. Tandjaoui, and A. M. Haidar. "Power quality enhancement using DVR based on ant colony controller." In *Power and Electrical Engineering of Riga Technical University (RTUCON), 2016 57th International Scientific Conference on*, pp. 1-4. IEEE, 2016.
- [42] Yao, Wenli, Yongheng Yang, Xiaobin Zhang, Frede Blaabjerg, and Poh Chiang Loh. "Design and analysis of robust active damping for LCL filters using digital notch filters." *IEEE Transactions on Power Electronics* 32, no. 3 (2017): 2360-2375.
- [43] Ghosh, Arindam, and Gerard Ledwich. *Power quality enhancement using custom power devices*. Springer Science & Business Media, 2012.
- [44] Illindala, Mahesh, and Giri Venkataramanan. "Frequency/sequence selective filters for power quality improvement in a microgrid." *IEEE Transactions on Smart Grid* 3.4 (2012): 2039-2047.
- [45] Alhafadhi, Liqaa, Johnson Asumadu, and Amean Alsafi. "Total harmonics distortion reduction using adaptive, Weiner, and Kalman filters." *Computing and Communication Workshop and Conference (CCWC), 2017 IEEE 7th Annual*. IEEE, 2017.

- [46] Dash, P. K., A. K. Pradhan, and G. Panda. "Frequency estimation of distorted power system signals using extended complex Kalman filter." *IEEE Transactions on Power Delivery* 14.3 (1999): 761-766.
- [47] Sirjani, Reza, and Mehmet Kusaf. "Optimal design of passive harmonic filters using Bee Colony Optimization." *HONET-ICT, 2016*. IEEE, 2016.
- [48] Darvishi, A., A. Alimardani, and S. H. Hosseinian. "Fuzzy multi-objective technique integrated with differential evolution method to optimise power factor and total harmonic distortion." *IET generation, transmission & distribution* 5.9 (2011): 921-929.
- [49] Reddy, J. B. V., Pradipta K. Dash, R. Samantaray, and Alexander K. Moharana. "Fast tracking of power quality disturbance signals using an optimized unscented filter." *IEEE Transactions on Instrumentation and Measurement* 58, no. 12 (2009): 3943-3952.
- [50] Vural, Revna Acar, Tulay Yildirim, Tevfik Kadioglu, and Aysen Basargan. "Performance evaluation of evolutionary algorithms for optimal filter design." *IEEE transactions on evolutionary computation* 16, no. 1 (2012): 135-147.
- [51] Akagi, Hirofumi, Edson Hirokazu Watanabe, and Mauricio Aredes. *Instantaneous power theory and applications to power conditioning*. Vol. 31. John Wiley & Sons, 2007.
- [52] Akagi, Hirofumi, Yoshihira Kanazawa, Koetsu Fujita, and Akira Nabae. "Generalized theory of the instantaneous reactive power and its application." *The transactions of the Institute of Electrical Engineers of Japan. B* 103, no. 7 (1983): 483-490.
- [53] Rahmani, Salem, Abdelhamid Hamadi, Nassar Mendalek, and Kamal Al-Haddad. "A new control technique for three-phase shunt hybrid power filter." *IEEE Transactions on Industrial Electronics* 56, no. 8 (2009): 2904-2915.
- [54] Rahmani, Salem, Abdelhamid Hamadi, and Kamal Al-Haddad. "A Lyapunov-function-based control for a three-phase shunt hybrid active filter." *IEEE Transactions on Industrial Electronics* 59.3 (2012): 1418-1429.
- [55] Bhattacharya, Avik, Chandan Chakraborty, and Subhashish Bhattacharya. "Parallel-connected shunt hybrid active power filters operating at different switching frequencies for improved performance." *IEEE Transactions on industrial electronics* 59.11 (2012): 4007-4019.
- [56] A. Elgammal, and D. Ali, "Self-regulating active power filter compensation scheme for hybrid photovoltaic-fuel cell renewable energy system for smart grid applications," *International Journal of Renewable Energy Research*, vol. 7(2), pp.513-524, 2017.
- [57] Swain, Sushree, Pravat Ray, and Kanungo Mohanty. "Improvement of power quality using a robust hybrid series active power filter." *IEEE Transactions on Power Electronics* (2016).
- [58] Inoue, Shigenori, Toshihisa Shimizu, and Keiji Wada. "Control methods and compensation characteristics of a series active filter for a neutral conductor." *IEEE Transactions on Industrial Electronics* 54.1 (2007): 433-440.
- [59] Dixon, Juan W., Gustavo Venegas, and Luis A. Moran. "A series active power filter based on a sinusoidal current-controlled voltage-source inverter." *IEEE Transactions on Industrial Electronics* 44.5 (1997): 612-620.
- [60] Peng F.Z., Akagi H., Nabae A., —A new approach to harmonic compensation in power systems—a combined system of shunt passive, series active filters, *IEEE Trans. Ind. Appl.* 26 (6), pp.983–990, 1990.
- [61] Detjen, Dirk, Joep Jacobs, Rik W. De Doncker, and H-G. Mall. "A new hybrid filter to dampen resonances and compensate harmonic currents in industrial power systems with power factor correction equipment." *IEEE Transactions on Power Electronics* 16, no. 6 (2001): 821-827.
- [62] Singh, Bhim, Vishal Verma, Ambrish Chandra, and Kamal Al-Haddad. "Hybrid filters for power quality improvement." *IEE Proceedings-Generation, Transmission and Distribution* 152, no. 3 (2005): 365-378.
- [63] Singh, Bhim, and Vishal Verma. "An indirect current control of hybrid power filter for varying loads." *IEEE Transactions on power delivery* 21.1 (2006): 178-184.
- [64] Jou, H-L., K-D. Wu, J-C. Wu, C-H. Li, and M-S. Huang. "Novel power converter topology for three-phase four-wire hybrid power filter." *IET Power Electronics* 1, no. 1 (2008): 164-173.
- [65] Hasan, Khairul Nisak Binti Md, Kalle Rauma, Alvaro Luna, J. Ignacio Candela, and Pedro Rodríguez. "Harmonic compensation analysis in offshore wind power plants using hybrid filters." *IEEE Transactions on industry applications* 50, no. 3 (2014): 2050-2060.
- [66] Huang, Jin, and Haixia Shi. "A hybrid filter for the suppression of common-mode voltage and differential-mode harmonics in three-phase inverters with CPPM." *IEEE Transactions on Industrial Electronics* 62.7 (2015): 3991-4000.
- [67] Gonzatti, Robson B., Silvia Costa Ferreira, Carlos Henrique da Silva, Rondineli Rodrigues Pereira, Luiz Eduardo Borges da Silva, and Germano Lambert-Torres. "Smart impedance: A new way to look at hybrid filters." *IEEE Transactions on Smart Grid* 7, no. 2 (2016): 837-846.
- [68] Lima, Francisco Kleber A., Marcos Antonio N. Nunes, Ernande Eugenio C. Morais, Joacillo Luz Dantas, and Carlos Gustavo C. Branco. "A new proposal for DFIG grid-side converter as double-tuned hybrid filter to improve the power quality." In *Industrial Electronics Society, IECON 2013-39th Annual Conference of the IEEE*, pp. 1472-1477. IEEE, 2013.
- [69] Ostroznik, Simon, Primoz Bajec, and Peter Zajec. "A study of a hybrid filter." *IEEE Transactions on Industrial Electronics* 57.3 (2010): 935-942.
- [70] Jianben, Liu, Dai Shaojun, Chen Qiaofu, and Tao Kun. "Modelling and industrial application of series hybrid active power filter." *IET Power Electronics* 6, no. 8 (2013): 1707-1714.
- [71] Corasaniti, Victor Fabián, Maria Beatriz Barbieri, Patricia Liliana Arnera, and María Inés Valla. "Hybrid

- active filter for reactive and harmonics compensation in a distribution network." *IEEE Transactions on Industrial Electronics* 56, no. 3 (2009): 670-677.
- [72] Nguyen, Trung Nhan, An Luo, Zhikang Shuai, Minh Thuyen Chau, Mingfei Li, and Leming Zhou. "Generalised design method for improving control quality of hybrid active power filter with injection circuit." *IET Power Electronics* 7, no. 5 (2014): 1204-1215.
- [73] Inzunza, Rubén, and Hirofumi Akagi. "A 6.6-kV transformerless shunt hybrid active filter for installation on a power distribution system." *IEEE Transactions on power electronics* 20.4 (2005): 893-900.
- [74] Swain, Sushree, Pravat Ray, and Kanungo Mohanty. "Improvement of power quality using a robust hybrid series active power filter." *IEEE Transactions on Power Electronics* (2016).
- [75] Lam, C-S., M-C. Wong, and Y-D. Han. "Hysteresis current control of hybrid active power filters." *IET Power Electronics* 5.7 (2012): 1175-1187.
- [76] Dey, Papan, and Saad Mekhilef. "Current harmonics compensation with three-phase four-wire shunt hybrid active power filter based on modified D-Q theory." *IET Power Electronics* 8.11 (2015): 2265-2280.
- [77] Zobaa, Ahmed Faheem. "Optimal multiobjective design of hybrid active power filters considering a distorted environment." *IEEE Transactions on Industrial Electronics* 61.1 (2014): 107-114.
- [78] Wang, Lei, Chi-Seng Lam, Man-Chung Wong, Ning-Yi Dai, Keng-Weng Lao, and Chi-Kong Wong. "Non-linear adaptive hysteresis band pulse-width modulation control for hybrid active power filters to reduce switching loss." *IET Power Electronics* 8, no. 11 (2015): 2156-2167.
- [79] Lam, Chi-Seng, Wai-Hei Choi, Man-Chung Wong, and Ying-Duo Han. "Adaptive DC-link voltage-controlled hybrid active power filters for reactive power compensation." *IEEE Transactions on Power Electronics* 27, no. 4 (2012): 1758-1772.
- [80] Salmeron, Patricio, and Salvador P. Litran. "A control strategy for hybrid power filters to compensate four-wires three-phase systems." *IEEE Transactions on Power Electronics* 25.7 (2010): 1923-1931.
- [81] Rahmani, Salem, Abdelhamid Hamadi, Kamal Al-Haddad, and Louis A. Dessaint. "A combination of shunt hybrid power filter and thyristor-controlled reactor for power quality." *IEEE Transactions on Industrial Electronics* 61, no. 5 (2014): 2152-2164.
- [82] Hamadi, Abdelhamid, Salem Rahmani, and Kamal Al-Haddad. "Digital control of a shunt hybrid power filter adopting a nonlinear control approach." *IEEE Transactions on Industrial Informatics* 9.4 (2013): 2092-2104.
- [83] Hamadi, Abdelhamid, Salem Rahmani, and Kamal Al-Haddad. "Digital control of a shunt hybrid power filter adopting a nonlinear control approach." *IEEE Transactions on Industrial Informatics* 9.4 (2013): 2092-2104.
- [84] Bauer, Peter H., Michael A. Sartori, and Timothy M. Bryden. "An IIR median hybrid filters." *IEEE Transactions on signal processing* 40.5 (1992): 1068-1078.
- [85] Garanayak, Priyabrat, and Gayadhar Panda. "Fast and accurate measurement of harmonic parameters employing hybrid adaptive linear neural network and filtered-x least mean square algorithm." *IET Generation, Transmission & Distribution* 10.2 (2016): 421-436.
- [86] van Schoor, George, Jacobus Daniel van Wyk, and Ian S. Shaw. "Training and optimization of an artificial neural network controlling a hybrid power filter." *IEEE Transactions on Industrial Electronics* 50.3 (2003): 546-553.
- [87] He, Na, Dianguo Xu, and Lina Huang. "The application of particle swarm optimization to passive and hybrid active power filter design." *IEEE transactions on industrial electronics* 56.8 (2009): 2841-2851.
- [88] Luo, An, Zhikang Shuai, Wenji Zhu, Ruixiang Fan, and Chunming Tu. "Development of hybrid active power filter based on the adaptive fuzzy dividing frequency-control method." *IEEE transactions on power delivery* 24, no. 1 (2009): 424-432.
- [89] Solanki, Jitendra, Norbert Fröhleke, and Joachim Böcker. "Implementation of hybrid filter for 12-pulse thyristor rectifier supplying high-current variable-voltage DC load." *IEEE Transactions on Industrial Electronics* 62.8 (2015): 4691-4701.
- [90] Verma, Vishal, and Bhim Singh. "Design and implementation of a current-controlled parallel hybrid power filter." *IEEE Transactions on Industry Applications* 45.5 (2009): 1910-1917.
- [91] Mulla, Mahmadasraf Abdulhamid, Chudamani Rajagopalan, and Anandita Chowdhury. "Hardware implementation of series hybrid active power filter using a novel control strategy based on generalised instantaneous power theory." *IET Power Electronics* 6.3 (2013): 592-600.
- [92] Kesler, M.; Ozdemir, E., "Synchronous-Reference-Frame-Based Control Method for UPQC under Unbalanced and Distorted Load Conditions", *IEEE Transactions on Industrial Electronics*, vol.58, no.9, pp.3967-3975, Sept. 2011.
- [93] Fujita, Hideaki, and Hirofumi Akagi. "The unified power quality conditioner: The integration of series active filters and shunt active filters." *Power Electronics Specialists Conference, 1996. PESC'96 Record., 27th Annual IEEE. Vol. 1. IEEE, 1996.*
- [94] Fujita, Hideaki, and Hirofumi Akagi. "The unified power quality conditioner: the integration of series and shunt-active filters." *IEEE transactions on power electronics* 13.2 (1998): 315-322.
- [95] Sindhu, S., M. R. Sindhu, and T. N. P. Nambiar. "An Exponential Composition Algorithm Based UPQC for Power Quality Enhancement." *Procedia Technology* 21 (2015): 415-422.
- [96] Karelia, Nirav D., and Vivek J. Pandya. "Distributed Generation and Role of UPQC-DG in Meeting Power Quality Criteria—A Review." *Procedia Technology* 21 (2015): 520-525.
- [97] Senapati, Rudranarayan, Rajesh Kumar Sahoo, Rajendra Narayan Senapati, and Prafulla Chandra Panda. "Performance evaluation of Sinusoidal current

- control strategy unified Power Quality Conditioner." In *Electrical, Electronics, and Optimization Techniques (ICEEOT), International Conference on*, pp. 1404-1408. IEEE, 2016.
- [98] Senapati, Rudranarayan, Rajendra Narayan Senapati, Prashnajit Behera, and Manoj Kumar Moharana. "Performance analysis of unified power quality conditioner in a grid connected PV system." In *Signal Processing, Communication, Power and Embedded System (SCOPES), 2016 International Conference on*, pp. 416-420. IEEE, 2016.
- [99] Rajabi-Ghahnavieh, Abbas, et al. "UPFC for enhancing power system reliability." *IEEE Transactions on Power Delivery* 25.4 (2010): 2881-2890.
- [100] Singh, Shiv P. "Congestion mitigation using UPFC." *IET Generation, Transmission & Distribution* 10.10 (2016): 2433-2442.
- [101] Yang, Shuitao, et al. "Modulation and control of transformerless UPFC." *IEEE Transactions on Power Electronics* 31.2 (2016): 1050-1063.
- [102] Guo, Jianjun, Mariesa L. Crow, and Jagannathan Sarangapani. "An improved UPFC control for oscillation damping." *IEEE Transactions on Power Systems* 24.1 (2009): 288-296.
- [103] Wang, Keyou, Mariesa L. Crow, Bruce McMillin, and Stan Atcity. "A novel real-time approach to unified power flow controller validation." *IEEE Transactions on Power Systems* 25, no. 4 (2010): 1892-1901.
- [104] Aredes, Mauricio, Klemens Heumann, and Edson H. Watanabe. "An universal active power line conditioner." *IEEE Transactions on Power Delivery* 13.2 (1998): 545-551.
- [105] Chakraborty, Sudipta, Manoj D. Weiss, and M. Godoy Simoes. "Distributed intelligent energy management system for a single-phase high-frequency AC microgrid." *IEEE Transactions on Industrial Electronics* 54.1 (2007): 97-109.
- [106] Chakraborty, Sudipta, and Marcelo G. Simoes. "Experimental evaluation of active filtering in a single-phase high-frequency AC microgrid." *IEEE Transactions on Energy Conversion* 24.3 (2009): 673-682.
- [107] Akagi, Hirofumi, Edson Hirokazu Watanabe, and Mauricio Aredes. *Instantaneous power theory and applications to power conditioning*. Vol. 31. John Wiley & Sons, 2007.
- [108] Member, S. (1995). "New control algorithms for series and shunt three-phase four-wire active power filters", *IEEE Transactions on Power Delivery*, 10(3), 1649-1656.
- [109] Aredes, Mauricio, and Edson H. Watanabe. "New control algorithms for series and shunt three-phase four-wire active power filters." *IEEE Transactions on Power Delivery* 10.3 (1995): 1649-1656.
- [110] Vodyakho, Oleg, and Chris C. Mi. "Three-level inverter-based shunt active power filter in three-phase three-wire and four-wire systems." *IEEE transactions on power electronics* 24.5 (2009): 1350-1363.
- [111] Akagi, Hirofumi. "Control strategy and site selection of a shunt active filter for damping of harmonic propagation in power distribution systems." *IEEE Transactions on Power Delivery* 12.1 (1997): 354-363.
- [112] Benchaita, L., and S. Saadate. "A comparison of voltage source and current source shunt active filter by simulation and experimentation." *IEEE transactions on power systems* 14.2 (1999): 642-647.
- [113] Routimo, Mikko, Mika Salo, and Heikki Tuusa. "Comparison of voltage-source and current-source shunt active power filters." *IEEE Transactions on Power Electronics* 22.2 (2007): 636-643.
- [114] Jain, S. K., P. Agrawal, and H. O. Gupta. "Fuzzy logic controlled shunt active power filter for power quality improvement." *IEE Proceedings-Electric Power Applications* 149.5 (2002): 317-328.
- [115] Akagi, Hirofumi, Sunt Srianthumrong, and Yasuhiro Tamai. "Comparisons in circuit configuration and filtering performance between hybrid and pure shunt active filters." *Industry Applications Conference, 2003. 38th IAS Annual Meeting. Conference Record of the*. Vol. 2. IEEE, 2003.
- [116] Kale, Murat, and Engin Ozdemir. "An adaptive hysteresis band current controller for shunt active power filter." *Electric Power Systems Research* 73.2 (2005): 113-119.
- [117] Tey, L. H., P. L. So, and Y. C. Chu. "Improvement of power quality using adaptive shunt active filter." *IEEE transactions on power delivery* 20.2 (2005): 1558-1568.
- [118] Bhuvanawari, G., and Manjula G. Nair. "Design, simulation, and analog circuit implementation of a three-phase shunt active filter using the $I \cos\theta$ algorithm." *IEEE transactions on power delivery* 23.2 (2008): 1222-1235.
- [119] Rahmani, Salem, Nassar Mendalek, and Kamal Al-Haddad. "Experimental design of a nonlinear control technique for three-phase shunt active power filter." *IEEE Transactions on Industrial Electronics* 57.10 (2010): 3364-3375.
- [120] M. Khatri, and A. Kumar, "Experimental Investigation of Harmonics in a Grid-Tied Solar Photovoltaic System," *International Journal of Renewable Energy Research*, vol. 7(2), pp.901-907, 2017.
- [121] W. Issaadi, "An Improved MPPT Converter Using Current Compensation Method for PV-Applications," *International Journal of Renewable Energy Research*, vol. 6(3), pp.894-913, Sep. 2016.
- [122] I. Abouddrar, and S. El Hani, "Hybrid algorithm and active filtering dedicated to the optimization and the improvement of photovoltaic system connected to grid energy quality," *International Journal of Renewable Energy Research*, vol. 7(2), pp.894-900, 2017.
- [123] P.K. Bhatt, and S.Y., Kumar, "Comprehensive Assessment and Mitigation of Harmonic Resonance in Smart Distribution Grid with Solar Photovoltaic," *International Journal of Renewable Energy Research*, vol. 7(3), pp.1085-1096, Sep 2017.
- [124] Senapati, Rudranarayan, Rajendra Narayan Senapati, and Manoj Kumar Moharana. "Sinusoidal Current Control Strategy for UPQC in Grid Connected PV-Fuel Cell Microgrid." *International Journal of Engineering and Technology (IJET)*, vol. 9(4) (2017): 2800-2813.